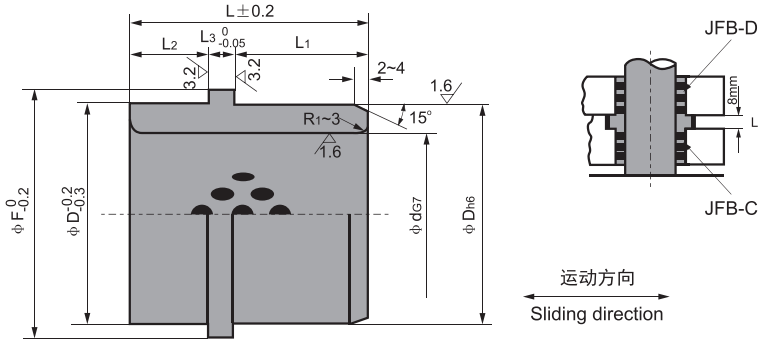


JOSG 固体润滑导向套标准公制尺寸 JOSG Solid-Lubricant Guide Ejector Bushings Standard Metric Size



单位unit:mm

型号规格 Standard No.	φ d G7	φ D h6	φ F	L	L ₁	L ₂	L ₃
JOSG-10 × 24	10	16	21	24	10	4	10
JOSG-10 × 28				28	14		
JOSG-12 × 26	12	18	21	26	12	4	15
JOSG-12 × 28				28	14		
JOSG-13 × 26	13	22	25	26	12	4	4
JOSG-13 × 28				28	14		
JOSG-13 × 33				33	18		
JOSG-13 × 38				38	24		
JOSG-16 × 26	16	25	30	26	12	4	10
JOSG-16 × 28				28	14		
JOSG-16 × 33				33	19		
JOSG-16 × 38				38	24		
JOSG-20 × 26	20	30	35	26	12	4	15
JOSG-20 × 28				28	14		
JOSG-20 × 33				33	19		
JOSG-20 × 38				38	24		
JOSG-25 × 26	25	35	40	26	12	4	8
JOSG-25 × 28				28	14		
JOSG-25 × 33				33	19		
JOSG-25 × 38				38	24		
JOSG-30 × 33	30	40	45	33	14	4	15
JOSG-30 × 38				38	19		
JOSG-30 × 43				43	24		
JOSG-32 × 38				32	42		
JOSG-32 × 43	43	24					
JOSG-32 × 48	48	29					
JOSG-35 × 38	35	46	50	38	19	4	4
JOSG-35 × 43				43	24		
JOSG-35 × 48				48	29		
JOSG-40 × 48	40	52	57	48	24	4	20
JOSG-40 × 53				53	29		
JOSG-50 × 48	50	62	67	48	24	4	20
JOSG-50 × 53				53	29		
JOSG-30 × 37	30	42	47	37	14	4	15
JOSG-30 × 42				42	19		
JOSG-30 × 47				47	24		
JOSG-40 × 53	40	55	60	53	20	4	25
JOSG-40 × 57				57	24		
JOSG-40 × 60				60	29		
JOSG-40 × 67	40	55	60	40	67	4	30
JOSG-40 × 70				55	70		
JOSG-50 × 67	50	62	67	50	67	4	30
JOSG-50 × 87				67	87		
JOSG-60 × 67	60	74	82	60	67	4	30
JOSG-60 × 87				67	87		

Self-lubricating Bushes
固体润滑导向套

Email: jlbearing@hotmail.com
Website: www.jlb-bearing.com

Tel: 0573-84822580
Fax: 0573-8482255